

DIN12 Flowmeter Low Frequency Pulse Signal Isolated Transmitter (one input two output)

Features:

- >> Accuracy class: 0.2
- >> High linearity (non-linearity <0.1%)
- >> 2500VDC (signal input / output signal)
- >> Power supply: 5VDC/12VDC/24VDC
- >> Input low frequency signal: 0-20Hz / 0-50Hz/0-100Hz
- >> Output two standard 0-2.5V/0-5V/0-10V voltage signal
or two 0-10mA/0-20mA/4-20mA current signal
- >> Small size, the standard DIN35 rail installation
- >> Industrial temperature range: -20 to +85 ° C
- >> Size: 79x106.7x25mm



Typical applications:

- >> Frequency sensor signal acquisition, isolated converter
- >> Inverter (FA) frequency signal acquisition
- >> Generators, motors and other rotating equipment
- >> Transformer frequency detection
- >> Instrumentation and sensor signal transceiver
- >> Non-power signal transmission

Product Listing:

DIN12 IAP – M□ - P□ – V(A)□

Input Signal: M		Power Supply: P		Output Signal: A or V			
Frequency signal	Code	P	Code	Current: A	Code	Voltage: V	Code
0-20Hz	M1	24VDC	P1	0-20ma	A3	0-5V	V1
0-50Hz	M2	12VDC	P2	4-20ma	A4	0-10V	V2
0-100Hz	M3	5VDC	P3	User-defined	Au	1-5V	V6
User-defined	Mu	15VDC	P4			User-defined	Vu

Samples:

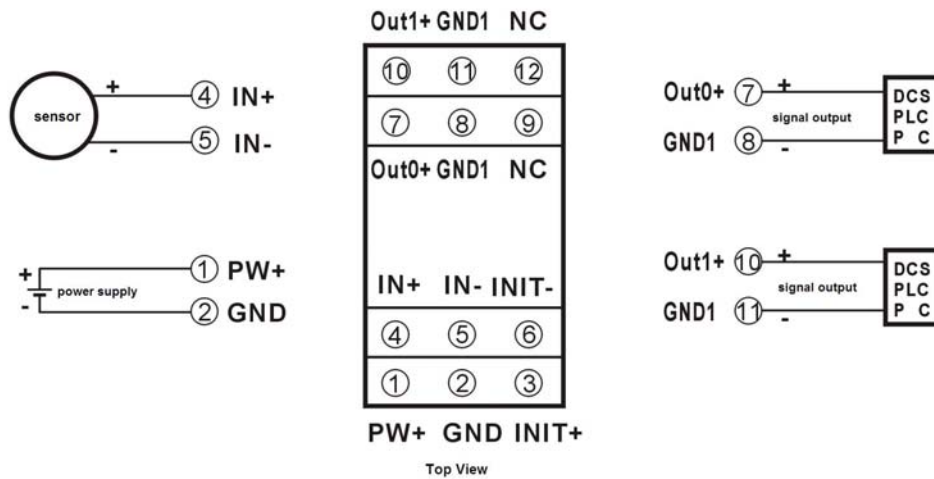
1. Signal Input: 0-20Hz, power supply: 24V, two signal output: 0-5V Part No.: **DIN12 IAP-M1-P1-V1**
2. Signal Input: 0-50Hz, power supply: 12V, two signal output: 4-20mA Part No.: **DIN12 IAP-M2-P2-A4**
3. Signal Input: 0-100Hz, power supply: 24V, two signal output: 0-10V Part No.: **DIN12 IAP-M3-P1-V2**
4. Signal Input: 0-100Hz, power supply: 24V, two signal output: 4-20mA Part No.: **DIN12 IAP-M3-P1-A4**
5. Signal Input: 0-60Hz, power supply: 24V, two signal output: 4-20mA Part No.: **DIN12 IAP-Mu(0-60Hz)-P1-A4**

Technical Parameter:

Parameter Name		Test Condition	MIN.	TYPE.	MAX.	Unit
Isolation Voltage		1min	1500	2500		VDC
Signal input	Amplitude ($V_{P.P}$)		4.5	12	30	V
	Frequency testing range		0	100	500	Hz
	Frequency input Low level		0	0	1.5	V
	Frequency input High level		4.5	12	30	V
Signal output	voltage load capacity	5V	2K	10K		Ω
	Current load capacity	20mA	0	250	350	Ω
Response Time				100	10000	ms
Power supply	Voltage	User-defined	5	12	32	VDC
	Current	VD=12V		83		mA
Power Supply Loss				1		W
Work Environment Temperature			-40		85	$^{\circ}\text{C}$
Storage Temperature			-40		85	$^{\circ}\text{C}$

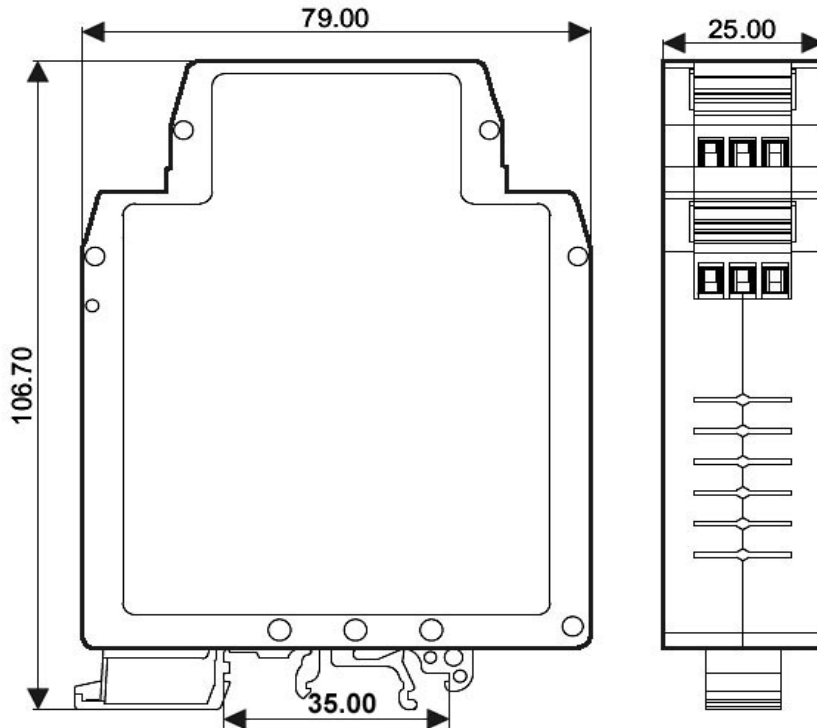
Products Connecting Diagram:

Pin	Function		Pin	Function	
1	PW+	Power Supply +	7	IN+	Frequency signal input+
2	NC	No connecting	8	IN-	Frequency signal input-
3	GND	Power Supply -	9	NC	No PIN
4	Out+	Output Signal +	10	NC	No PIN
5	Out-	Output Signal -	11	NC	No PIN
6	NC	No connecting	12	NC	No PIN



* Specifications subject to change without notice

Size (unit:mm)

**Note:**

1. Before using, according to packing lists, and product labels, check the quantity, models and specifications
2. When measure the signal directly, please set the terminal tighten
3. There are no damaged insulation, conductive dust and corrosive fumes of metal in the environment
4. Installation pitch $\geq 10\text{mm}$
5. We have adjusted well, do not adjust arbitrarily
6. Warranty: two years. But if clients damage products by themselves or tear off any labels on the product, we can not exchange
7. Products can not been used in strong magnetic field
8. Internal no anti-lightning circuit
9. Specifications subject to change without notice

Warranty

Two Years

CopyrightCopyright © 2016 **Shenzhen WAYJUN Industrial Automation**